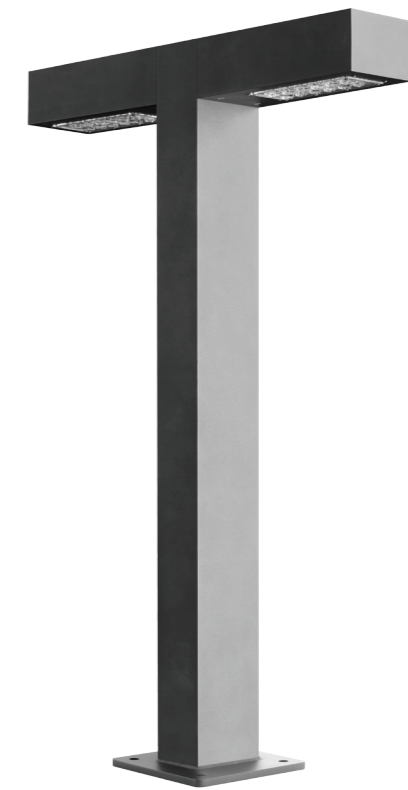


DOMINI

A CONTEMPORARY BOLLARD



Complementing its light column Domino, Domini is an exquisite bollard for modern landscape projects.



DOMINI

TECHNICAL SPECIFICATIONS

GENERAL HIGHLIGHTS

- Ideal solution for landscape areas
- Structured with LED light source
- Operating Temperature -40°C / +55°C
- Exceptional thermal characteristics
- In compliance with EN 60598, EN 62722

ELECTRICAL PROPERTIES

- Drive current: 350mA
- Optimized PCB Design
- Energy class: A
- Input Voltage: 220V - 240V at 50Hz / 60Hz
- Control type: On/Off
- Power factor: > 0.90

OPTICAL PROPERTIES

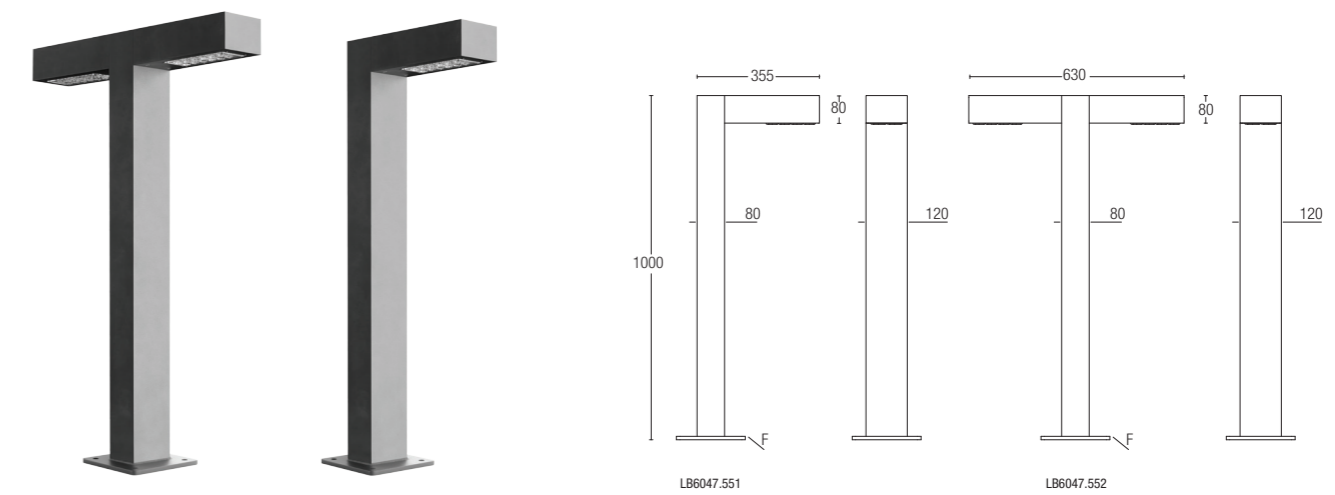
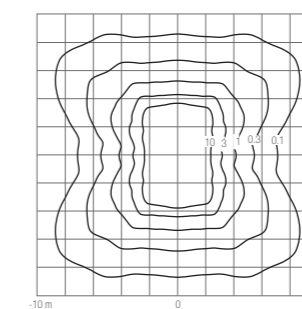
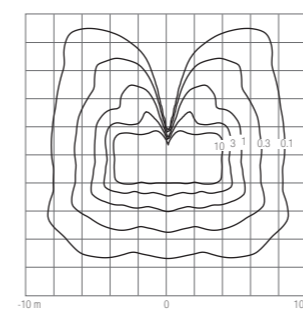
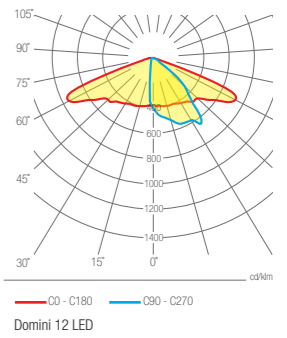
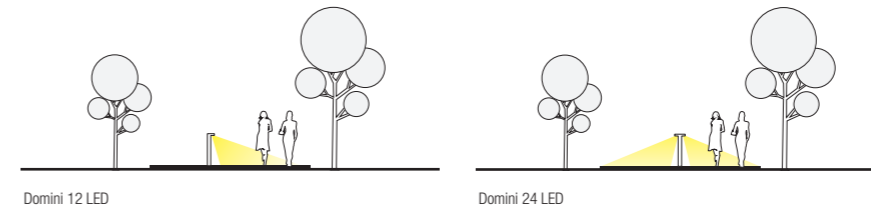
- Equipped with high efficiency LED chips
- No glare with intended use
- High power, undomed LED chips
- Quarter bin LED chips
- MacAdam Elipse 3
- Photobiological safety: Risk group 1
- Lumen output (absolute photometry): 1300lm - 2700lm
- Color temperature: 3000K, 4000K, 2700K (optional)
- CRI > 70 (4000K), CRI > 80 (3000K)
- ULOR: 0

BODY HOUSING & FINISH

- Corrosion resistant aluminum housing
- Electrostatic powder coating
- HM1 to HM6 standard colors with optional RAL codes
- Ingress protection: IP65
- Impact protection: IK05

EXTRAS

- Higher CRI LED chips
- Marine grade body



LUMINAIRE					
CODE	DESCRIPTION	POWER (350 mA)	LUMEN	COLOR TEMPERATURE	ANCHORAGE
LB6047.551	Domini 12 LED	14W	1300lm - 1350lm	3000K / 4000K	90AJ001
LB6047.552	Domini 24 LED	28W	2600lm - 2700lm	3000K / 4000K	90AJ001